

# KBD Series

3Phase Ring Type Current Transformer

## Ordering Information

KBD - 12 , 3.0 Class , 2.5 VA , 50~80 / 5 A

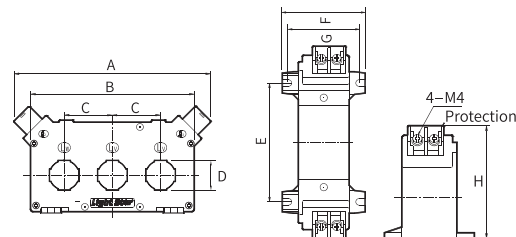
①                      ②                      ③                      ④                      ⑤



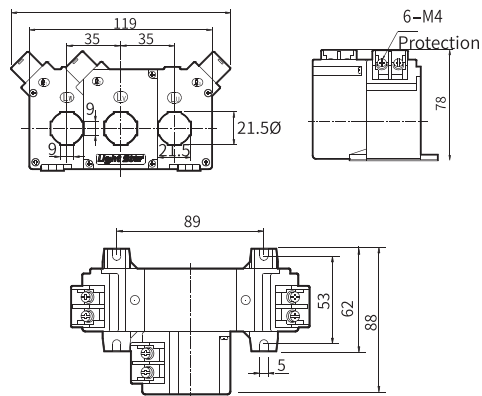
	①		②		③		④		⑤		Weight (g)	Dimensions(mm)							
	Type	Class	VA	Primary	Secondary	A	B	C	D	E		F	G	H					
3P3W (2CT)	Meter Type	12	3.0 or 1.0	2.5	50~80	5	370	119	99	30	14	63	62	55	59				
				5	100~120														
				5	150~200														
	Relay type	5P5	1.5	150~200	1														
	Meter Type	12S	3.0 or 1.0	2.5	40~60	5	390	119	99	30	14	75	63	61	59				
				5	75~80														
				5	100~150														
				15	200														
				Relay type	5P5 or 5P10											1.5	40~60	1	
																1.5	75~120		
	2.5	150~200																	
	Meter Type	22	3.0 or 1.0	2.5	60	5	550	136	119	35	21.5	62	89	53	78				
5				75															
5	100~300																		
Relay type	5P5	1.5	100~300	1															
Meter Type	42	3.0 or 1.0	5	100~150	5	630	170	149	44	27	63	117	53	93					
			5	200~250															
			15	300~500															
			Relay type	5P5 or 5P10											1.5	150~250	1		
															1.5	300~400			
			2.5	500															
Meter Type	62	1.0	5	200~250	5	720	KBD-62												
			15	300~1200															
Relay type	5P10	2.5	250~400	or															
5	500~1000	1																	
3P4W (3CT)	Meter Type	13	3.0 or 1.0	2.5	50~100	5	410	119	99	30	14	63	62	55	59				
				5	120														
	5	150~200																	
	Relay type	5P5	1.5	150~200	1														
	Meter Type	13S	3.0 or 1.0	2.5	40~60	5	520	119	99	30	14	75	63	61	59				
				5	75~80														
				5	100~150														
				15	200														
				Relay type	5P5 or 5P10											1.5	40~60	1	
																1.5	75~120		
	2.5	150~200																	
	Meter Type	23	3.0 or 1.0	2.5	75	5	460	136	119	35	21.5	62	89	53	78				
5				100~120															
5				150~300															
Relay type	5P5	1.5	200~300	1															
Meter Type	43	3.0 or 1.0	5	100~150	5	690	170	149	44	27	63	117	53	93					
			5	200~300															
			15	400~500															
			Relay type	5P5 or 5P10											1.5	150~250	1		
															1.5	300~400			
			2.5	500															
Meter Type	21	3.0 or 1.0	2.5	60	5	820	KBD-21												
			5	75															
			5	100~200															
Relay type	5P5	1.5	100~200	1															
Meter Type	63	1.0	5	200~250	5	1360	KBD-63												
			15	300~1200															
			2.5	250~400															
Relay type	5P10	5	500~1000	1															

- 1.15kV Insulation Voltage
- 4.0kV - 1 min Withstanding Voltage
- 50/60 Hz Frequency
- 40 Overcurrent Strength
- IEC 60044-1 Standard

KBD-12,13,12S,13S,22,23,42,43



KBD-21



KBD-62,63

