

- Miniature size (width 5mm, height 12.5mm) high density and easy to install
- Extended switching capability (1mA 5VDC to 5A 250VAC, 30VDC)
- Twin Cross Bar Contact Mechanism for enhanced contact reliability
- High sensitive operation: 120mW ~ 180mW (5 to 24VDC)

# KDQ-200 Series

## Power Quality Meter



### Specifications

Display	Type	Character LCD
	Number of Line	20Character X 4Lines
	Screen Size	123.5(W)mm X43.0(H)mm (Viewing area)
Communication	RS-485 Modbus RTU	2-wire, 0~255 Address, 9600,19200bps, 38400bps
	Bluetooth v2.0 EDR	Android application(5m)
Power Quality Measurement	Waveform	7680sampling/sec
	Phase Angle	Vector Diagram
	Harmonic	1st~15th
Environmental Condition	Operation Temperature	0~55°C
	Storage Temperature	-20~85°C
	Relative Humidity	≤80%
	Ingress Protection Rating	IP54(Front), IP20(case)
Connections	Circuit	Single Phase 2wire, Single phase 3wire,
	CT,PT,Aux Terminal	M4 Bolt
	RS-485 Terminal	M4 Bolt
Weight		1810g (approximately)

### Measurement & Accuracy

Current	≤0.3% of reading + 0.2% of F.S
Voltage	≤0.3% of reading + 0.2% of F.S
Frequency	≤0.1% of reading + 0.02% Hz
Active Power	≤1.0% of reading + 0.2% of F.S
Reactive Power	≤1.0% of reading + 0.2% of F.S
Power Factor	≤1.0% of reading + 0.2% of F.S
Active Energy	≤Active Power Accuracy + 0.1 Count/h

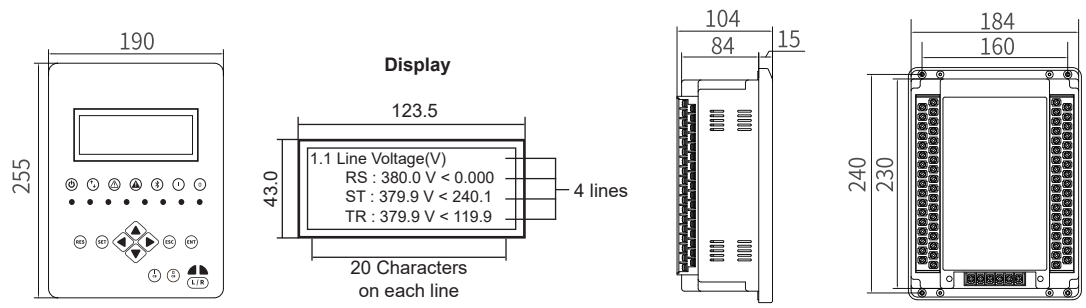
### Inputs

Auxiliary Supply	AC 90~260V(50 or 60Hz)
Voltage(Direct or Secondary)	AC 500V
Current (Direct or Secondary)	AC 5A
Voltage Ratio	0~3200.000
Current Ratio	0~2,000
CB* OPEN/ELOSE DI*	AC/DC 110V or 220V

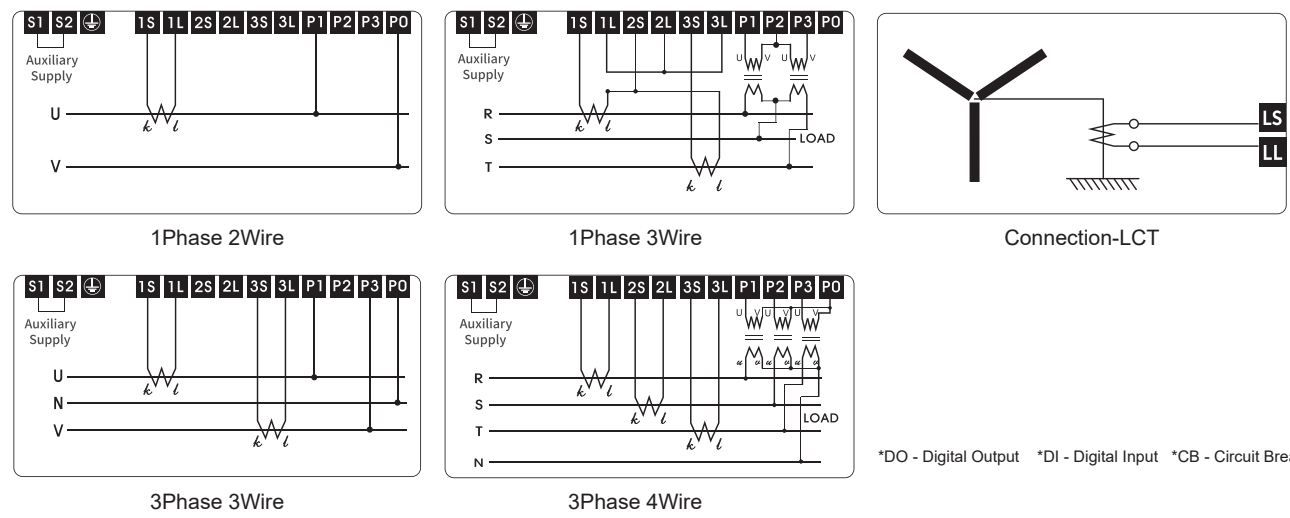
### Outputs

CB* OPEN/CLOSE DO*	16A AC 240V, 30A DC 125V
DI 1~8	5A AC 240V, 5A DC 30V

### Dimension



### Connection Diagram



\*DO - Digital Output \*DI - Digital Input \*CB - Circuit Breaker