



ML8 Series

Ø86mm Aluminum Body LED Tower Lights



- Stud mount
- Pre-assembled 1 to 5 stack lights
- Special high intensity illumination design
- Adjustable Buzzer kit available

Specifications

Current Consumption	LED Color	12~24V		90~240V	
		LED	w/Buzzer	LED	w/Buzzer
1stack		0.15A	0.17A	0.02A	0.03A
2stack		0.30A	0.32A	0.04A	0.04A
3stack		0.40A	0.42A	0.05A	0.05A
4stack		0.50A	0.52A	0.06A	0.06A
5stack		0.60A	0.62A	0.07A	0.07A
LED Function		Steady, Flashing, Buzzer			
Operation Voltages		12~24VAC/DC, 90~240VAC			
Flashing rates		80 ± 10 times/minute			
Alarm Sound Level		Min. 10 ~ Max. 100 ± 5dB (at 1m), Adjustable volume			
Ambient Temperature		-15 ~ 40°C			
Storage Temperature		-20 ~ 70°C			
Ambient Humidity		45~85% RH			
Insulation Resistance		100MΩ minimum (500V DC megger)			
Vibration		0.75mm at 10~55Hz			
Recommended Wire Size		UL1007 / 22AWG			
Certificate/compliance		RoHS			
Degree of Protection		IP65 / IP40(with buzzer)			

Ordering Information

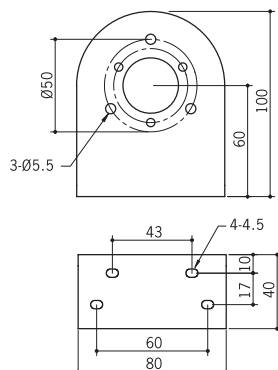
ML8 M - F 3 00 - RYG - B
 ① ② ③ ④ ⑤ ⑥

① Body Length	S	100mm
	M	150mm
	L	200mm
② Function	no mark	Steady (12V, 24V Only)
	F	Steady + Flashing
	B	Steady + Flashing + Buzzer
③ Number of Stacks	1	1 Light
	2	2 Lights
	3	3 Lights
	4	4 Lights
	5	5 Lights
④ Power Supply	00	12~24VDC/AC
	FF	90~240VAC
⑤ LED Color	R	Red
	Y	Yellow
	G	Green
	B	Blue
	C	Clear
⑥ Body color	B	Black
	no mark	Standard aluminum body color - White anodizing finish

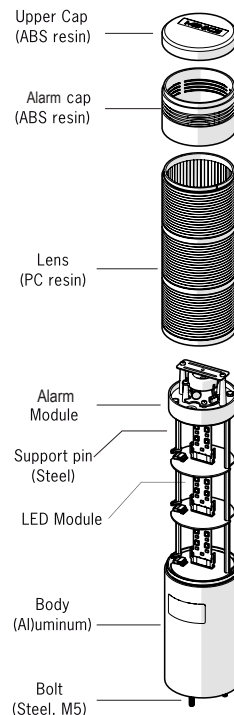
Mounting Option



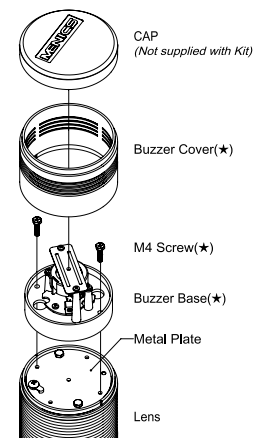
Model: MAM-DS26
Materials: Steel



Part name



Buzzer Kit

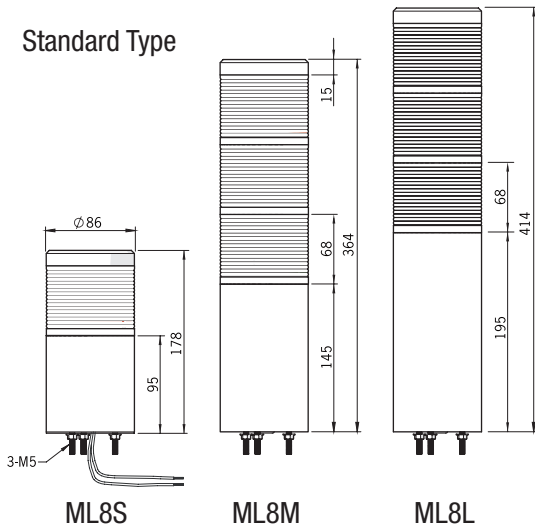


Model	MPZ-85D
Input Power	12VDC
Level Style	Adjustable Volume
Sound Level	50 ~ 100 5dB at 1M
Current	60mA

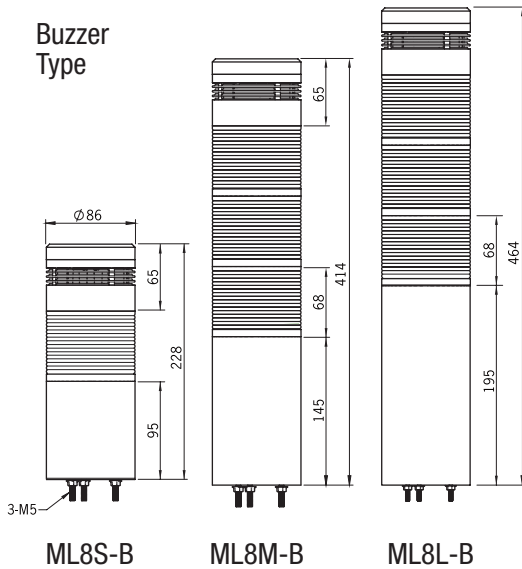
Dimensions

unit: mm

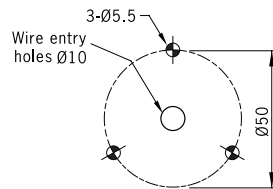
Standard Type



Buzzer Type



Mounting Guide

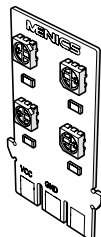


LED PCB Replacement

- Available 5 colors Red/Yellow/Green/Blue/White
- Each LED module can be used by each socket base in common.

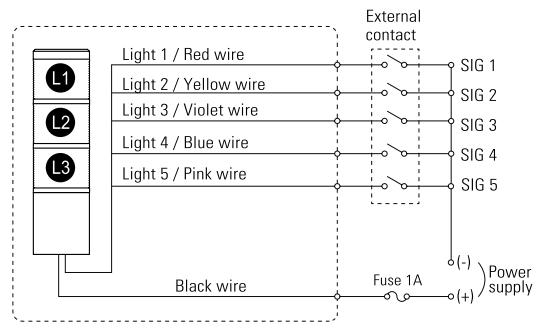
Red LED:	M8-12V-R
Yellow LED:	M8-12V-Y
Green LED:	M8-12V-G
Blue LED:	M8-12V-B
White LED:	M8-12V-W

* Input Power: DC 12V
* Current : 100mA±10%

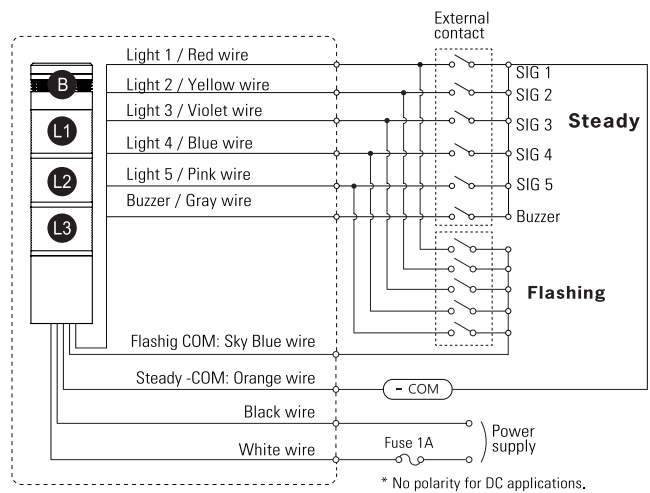


Wiring Diagrams

12VDC, 24VDC (Steady only)



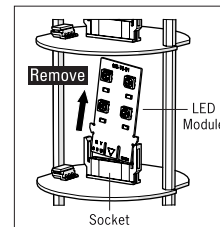
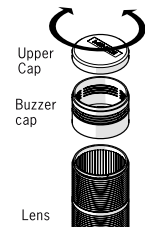
12~24VAC/DC, 90~240VAC/DC (Steady, Flashing & Buzzer)



* No polarity for DC applications.

How to change lamp

- ① Separate the bulb by turning the upper fixed cap to the left
- ② In case of buzzer type, separate by removing the fixed cap a turning the buzzer cap to the left.
- ③ Remove the lens.



- ④ Remove the LED lamp after release the socket lock.
- ⑤ When insert the lamp, locks into place to fix the hook of LED PCB module and the hook of socket (see Fig A), to match the socket contact section and contact area of LED lamp PCB.

<LED PCB Module>

