



# MP8 Series

Ø86mm LED Steady & Flashing

- Pre-assembled 1 to 5 stack lights
- Special high intensity illumination design
- Stud or Pole mount type
- Adjustable Buzzer kit available



## Specifications

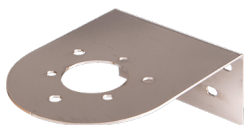
	LED Color	12~24V		90~240V	
		LED	w/Buzzer	LED	w/Buzzer
Current Consumption	1stack	0.15A	0.17A	0.02A	0.03A
	2stack	0.30A	0.32A	0.04A	0.04A
	3stack	0.40A	0.42A	0.05A	0.05A
	4stack	0.50A	0.52A	0.06A	0.06A
	5stack	0.60A	0.62A	0.07A	0.07A
LED Function		Steady, Flashing, Buzzer			
Operation Voltages		12~24VAC/DC, 90~240VAC			
Flashing rates		80 ± 10 times/minute			
Alarm Sound Level		Min. 10 ~ Max. 100 ± 5dB (at 1m), Adjustable volume			
Ambient Temperature		-15 ~ 40°C			
Storage Temperature		-20 ~ 70°C			
Ambient Humidity		45~85% RH			
Insulation Resistance		100MΩ minimum (500V DC megger)			
Vibration		0.75mm at 10~55Hz			
Recommended Wire Size		UL1007 / 22AWG			
Certificate/compliance		RoHS			
Degree of Protection		IP65 / IP40(with buzzer)			

## Ordering Information

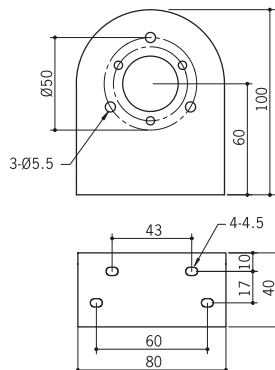
MP8 C - F 3 00 - RYG - B  
 ① ② ③ ④ ⑤ ⑥

① Body Length	C	Direct mounting type
	G	Pole mounting type
② Light Style	no mark	Steady
	F	Steady + Flashing
	B	Steady + Flashing + Buzzer
③ Number of Stacks	1	1 Light
	2	2 Lights
	3	3 Lights
	4	4 Lights
	5	5 Lights
④ Power Supply	00	12~24VDC/AC
	FF	90~240VDC/AC
⑤ LED Color	R	Red
	Y	Yellow
	G	Green
	B	Blue
	C	Clear
⑥ Body color	B	Black
	no mark	Ivory

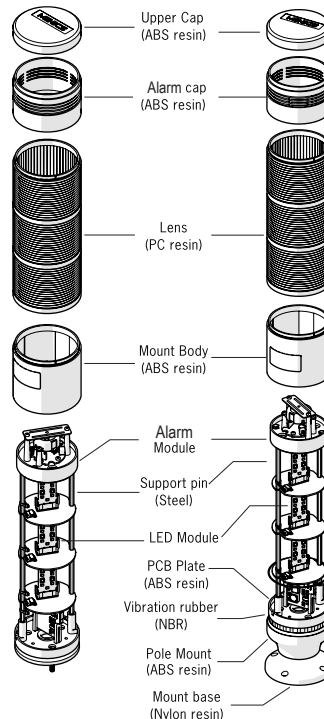
## Mounting Option



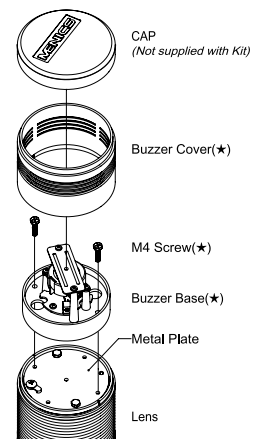
Model: MAM-DS26  
Materials: Steel



## Part name



## Buzzer Kit



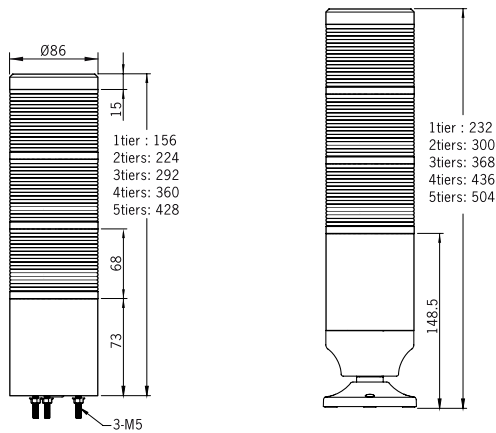
Model	MPZ-85D
Input Power	12VDC
Level Style	Adjustable Volume
Sound Level	50 ~ 100 5dB at 1M
Current	60mA

Please see our "Mounting and Accessories" section for mounting option and extra trim.

## Dimensions

unit: mm

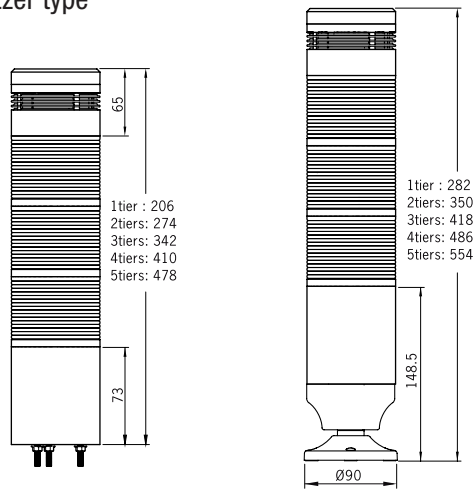
### Standard type



MP8C

MP8G

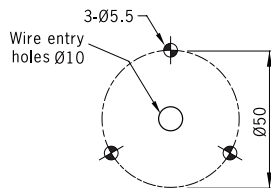
### Buzzer type



MP8C-B

MP8G-B

### Mounting Guide

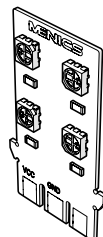


## LED PCB Replacement

- Available 5 colors Red/Yellow/Green/Blue/White
- Each LED module can be used by each socket base in common.

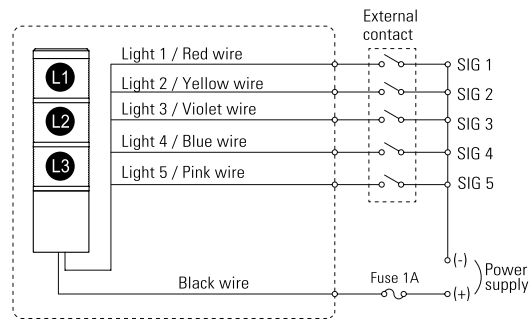
Red LED:	M8-12V-R
Yellow LED:	M8-12V-Y
Green LED:	M8-12V-G
Blue LED:	M8-12V-B
White LED:	M8-12V-W

\* Input Power: DC 12V  
\* Current : 100mA±10%

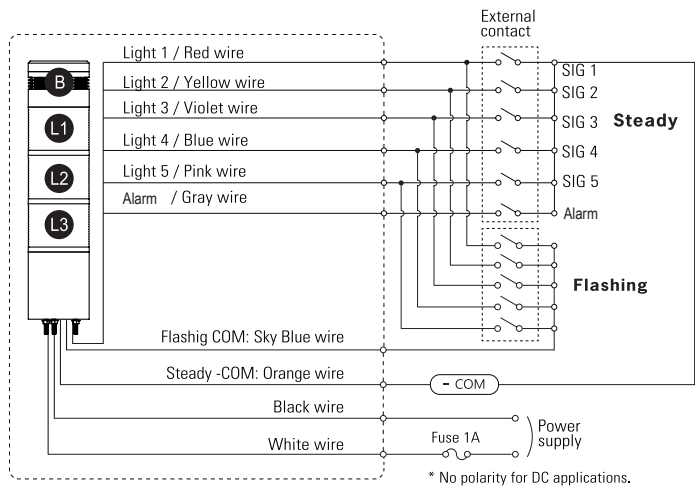


## Wiring Diagrams

### 12VDC, 24VDC (Steady only)

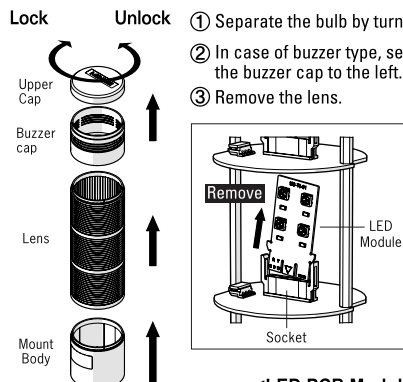


### 12~24VAC/DC, 90~240VAC/DC (Steady, Flashing & Buzzer)

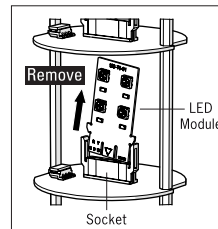


## How to change lamp

- ① Separate the bulb by turning the upper fixed cap to the left
- ② In case of buzzer type, separate by removing the fixed cap a turning the buzzer cap to the left.
- ③ Remove the lens.



- ④ Remove the LED lamp after release the socket hook.
- ⑤ When insert the lamp, locks into place to fix the hook of LED PCB module and the hook of socket (see Fig A), to match the socket contact section and contact area of LED lamp PCB.



### <LED PCB Module>

