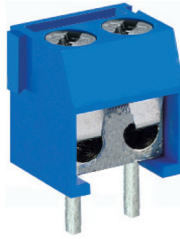
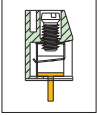


# MA622 PCB Terminal Block, Modular



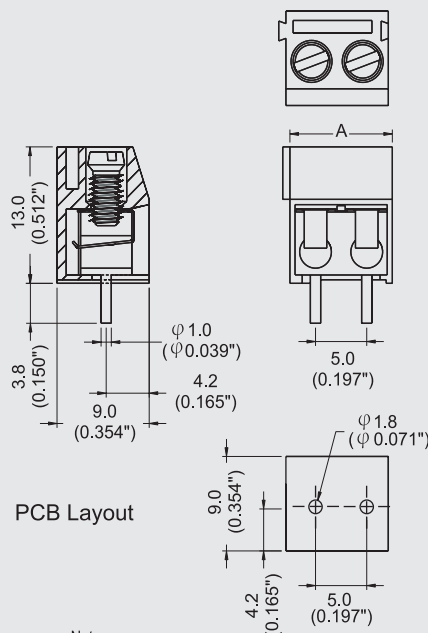
## DIMENSIONS/POSITIONS

## MA622-500M

Pitch	5.00mm
Poles	2 ~ 3Poles
Dimension A	5.00mm
Length	A= 5.00xP(P≥2)
Housing Material	PA 66
Spring	Stainless Steel
Contact	Brass, Tin Plated
Screw Thread	M3.0, Steel, Zinc Plated
Wire Size	14 ~ 22AWG
PCB Hole Diameter	1.8mm
Tightening Torque, Max.	4.0 Lb-in
Operating Temperature	-40°C to +105°C

## TECHNICAL DATA

Connection in acc. with standard EN-VDE	
Nominal Current I <sub>N</sub>	16A
Nominal Cross Section	1.5mm <sup>2</sup>
Maximum load current	16A
Insulating Material	PA
Inflammability class acc. to UL94	V0
Nominal voltage, UL/CUL	300V
Nominal current, UL/CUL	16A



Note:  
Screw Plating: Changes are available upon request