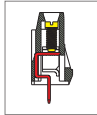


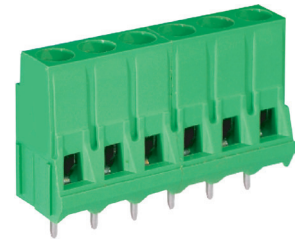
# MB410 PCB Terminal Block, Modular



MB410-500M



MB410-635M

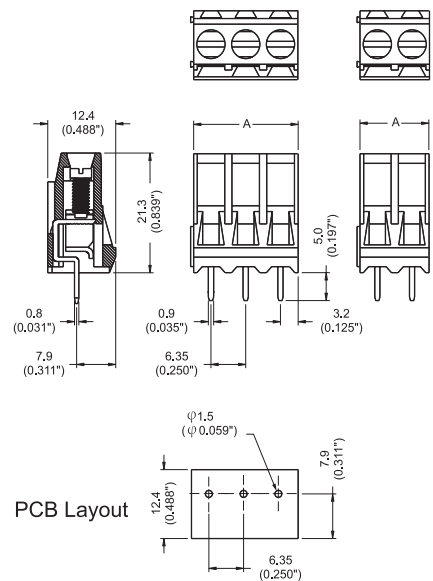
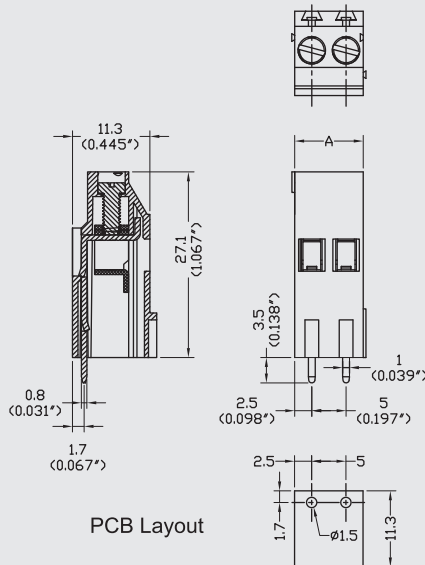


## DIMENSIONS/POSITIONS

	MB410-500M	MB410-635M
Pitch	5.00mm	6.35mm
Poles	2 ~ 3Poles	2 ~ 3Poles
Dimension A	5.00mm	6.35mm
Length	A=5.00xP (P≥2)	A=6.35xP+1.88mm (P≥2)
Housing Material	PA 66	PA 66
Cage Clamp	Steel, Zinc Plated	Brass, Ni Plated
Contact	Brass, Tin Plated	Brass, Tin Plated
Screw Thread	M2.6, Steel, Zinc Plated	M3.0, Steel, Zinc Plated
Wire Size	12 ~ 24AWG	14 ~ 22AWG
PCB Hole Diameter	1.5mm	1.5mm
Tightening Torque, Max.	5.0 Lb-in	5.5 Lb-in
Operating Temperature	-40°C to +105°C	-40°C to +105°C

## TECHNICAL DATA

Connection in acc. with standard EN-VDE		
Nominal Current I <sub>N</sub>	27A	10A
Nominal Cross Section	2.5mm <sup>2</sup>	2.5mm <sup>2</sup>
Maximum load current	27A	10A
Insulating Material	PA	PA
Inflammability class acc. to UL94	V0	V0
Nominal voltage, UL/CUL	300V	300V
Nominal current, UL/CUL	27A	10A



Note:  
 Screw Plating: Changes are available upon request