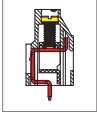


# MB420 PCB Terminal Block, Modular

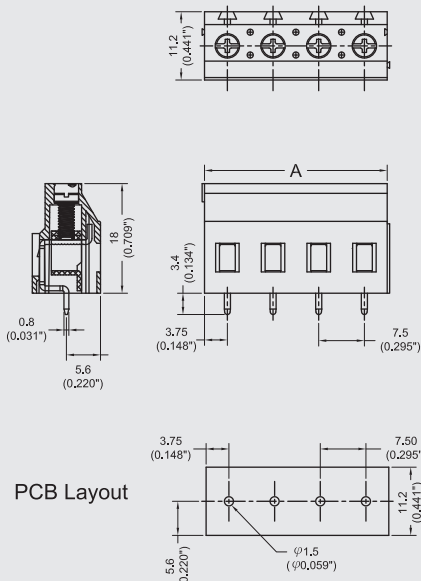


## DIMENSIONS/POSITIONS

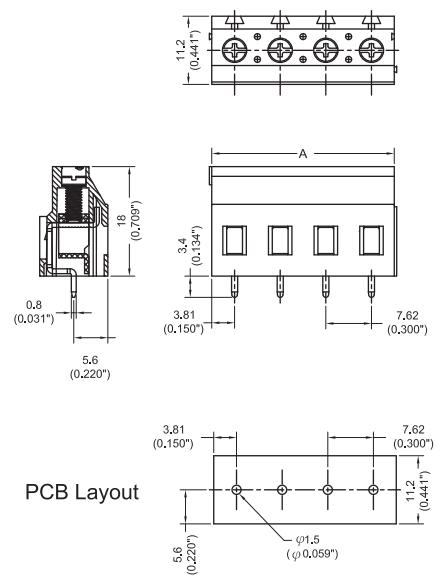
	MB420-750MA	MB420-762MA
Pitch	7.50mm	7.62mm
Poles	2 ~ 3Poles	2 ~ 3Poles
Dimension A	7.50mm	7.62mm
Length	$A=7.50 \times P (P \geq 2)$	$A=7.62 \times P (P \geq 2)$
Housing Material	PA 66	PA 66
Cage Clamp	Steel, Zinc Plated	Steel, Zinc Plated
Contact	Brass, Tin Plated	Brass, Tin Plated
Screw Thread	M2.6, Steel, Zinc Plated	M2.6, Steel, Zinc Plated
Wire Size	12 ~ 24AWG	12 ~ 24AWG
PCB Hole Diameter	1.5mm	1.5mm
Tightening Torque, Max.	6.0 Lb-in	6.0 Lb-in
Operating Temperature	-40°C to +105°C	-40°C to +105°C

## TECHNICAL DATA

Connection in acc. with standard EN-VDE		
Nominal Current $I_N$	28A	28A
Nominal Cross Section	2.5mm <sup>2</sup>	2.5mm <sup>2</sup>
Maximum load current	28A	28A
Insulating Material	PA	PA
Inflammability class acc. to UL94	V0	V0
Nominal voltage, UL/CUL	300V	300V
Nominal current, UL/CUL	28A	28A



PCB Layout



PCB Layout