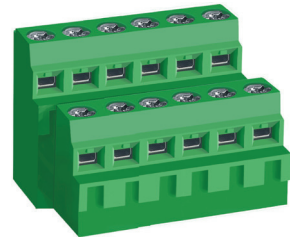
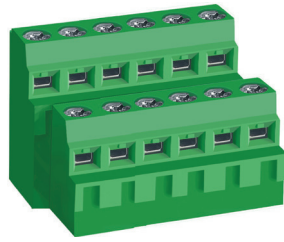
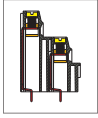


MB652 PCB Terminal Block, Single Mold

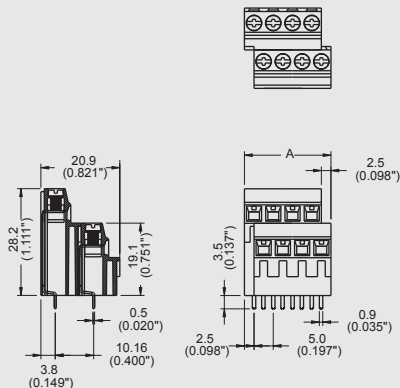


DIMENSIONS/POSITIONS

	MB652-500	MB652-508
Pitch	5.00mm	5.08mm
Poles	4 ~ 32Poles	4 ~ 32Poles
Dimension A	5.00mm	5.08mm
Length	A= 5.00xP/2+2.50mm (P≥4)	A= 5.08xP/2+2.54mm(P≥4)
Housing Material	PA 66	PA 66
Cage Clamp	Brass, Ni Plated	Brass, Ni Plated
Contact	Brass, Tin Plated	Brass, Tin Plated
Screw Thread	M2.6, Steel, Zinc Plated	M2.6, Steel, Zinc Plated
Wire Size	14 ~ 26AWG	14 ~ 26AWG
PCB Hole Diameter	1.3mm	1.3mm
Tightening Torque, Max.	4.5 Lb-in	4.5 Lb-in
Operating Temperature	-40°C to +105°C	-40°C to +105°C

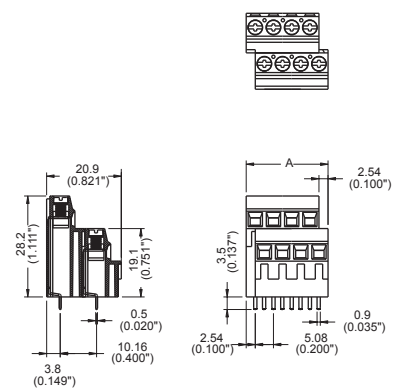
TECHNICAL DATA

Connection in acc. with standard EN-VDE		
Nominal Current I _N	16A	16A
Nominal Cross Section	1.5mm ²	1.5mm ²
Maximum load current	16A	16A
Insulating Material	PA	PA
Inflammability class acc. to UL94	V0	V0
Nominal voltage, UL/CUL	300V	300V
Nominal current, UL/CUL	16A	16A



PCB Layout

Note:
Screw Plating: Changes are available upon request



PCB Layout

Note:
Screw Plating: Changes are available upon request