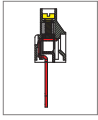
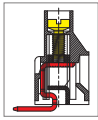


MB910 PCB Terminal Block, Modular



MB910-635M..R



MB910-635M..W

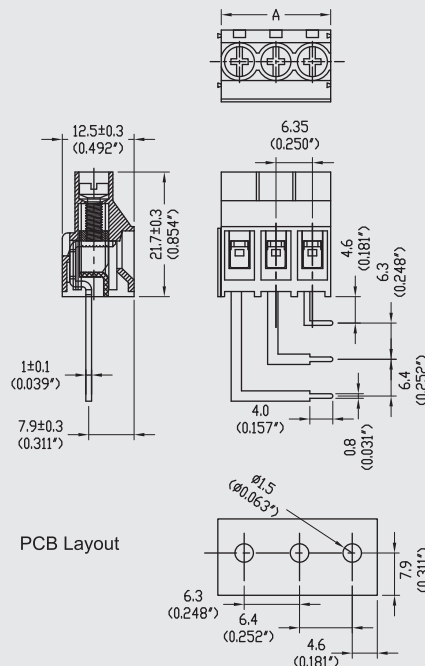


DIMENSIONS/POSITIONS

	MB910-635M..R	MB910-635M..W
Pitch	6.35mm	6.35mm
Poles	2 ~ 3Poles	2 ~ 3Poles
Dimension A	6.35mm	6.35mm
Length	A= 6.35xP(P=2P/3P)	A= 6.35xP(P≥2)
Housing Material	PA 66	PA 66
Cage Clamp	Steel, Ni Plated	Steel, Ni Plated
Contact	Brass, Tin Plated	Brass, Tin Plated
Screw Thread	M3.0, Steel, Zinc Plated	M3.0, Steel, Zinc Plated
Wire Size	10 ~ 24AWG	10 ~ 24AWG
PCB Hole Diameter	1.5mm	1.7mm
Tightening Torque, Max.	9.0 Lb-in	9.0 Lb-in
Operating Temperature	-40°C to +105°C	-40°C to +105°C

TECHNICAL DATA

Connection in acc. with standard EN-VDE		
Nominal Current I _N	30A	30A
Nominal Cross Section	6.0mm ²	6.0mm ²
Maximum load current	30A	30A
Insulating Material	PA	PA
Inflammability class acc. to UL94	V0	V0
Nominal voltage, UL/CUL	300V	300V
Nominal current, UL/CUL	28A	30A



Note:
Screw Plating: Changes are available upon request

