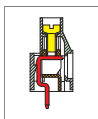


MB910 PCB Terminal Block, Modular



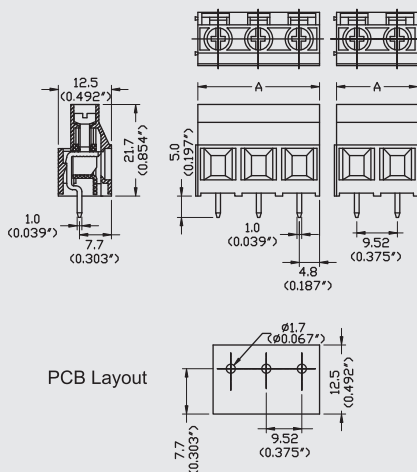
DIMENSIONS/POSITIONS

MB910-952M

Pitch	9.52mm
Poles	2 ~ 3Poles
Dimension A	9.52mm
Length	A= 9.52xP(P≥2)
Housing Material	PA 66
Cage Clamp	Steel, Ni Plated
Contact	Brass, Tin Plated
Screw Thread	M3.0, Steel, Zinc Plated
Wire Size	10 ~ 24AWG
PCB Hole Diameter	1.7mm
Tightening Torque, Max.	9.0 Lb-in
Operating Temperature	-40°C to +105°C

TECHNICAL DATA

Connection in acc. with standard EN-VDE	
Nominal Current I _N	25A
Nominal Cross Section	6.0mm ²
Maximum load current	25A
Insulating Material	PA
Inflammability class acc. to UL94	V0
Nominal voltage, UL/CUL	300V
Nominal current, UL/CUL	30A



Note:
 Screw Plating: Changes are available upon request
 Cage Clamp: MB912: Brass