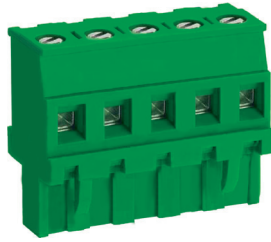
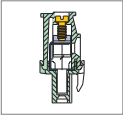


# MC200 Pluggable PCB Connector

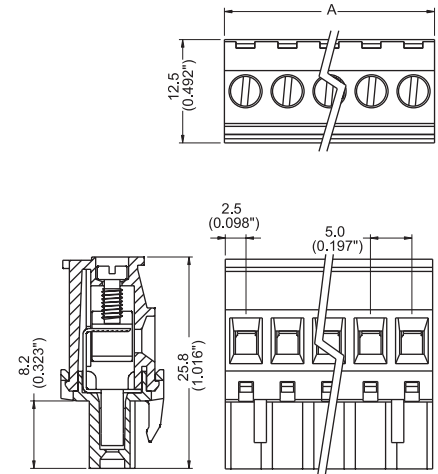
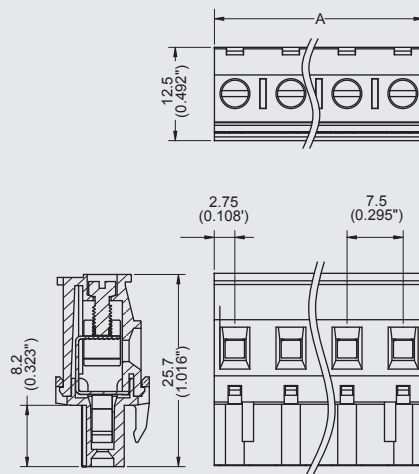


## DIMENSIONS/POSITIONS

	MC200-750	MC200-E1
Pitch	7.50mm	5.00mm
Poles	2 ~ 18Poles	2 ~ 24Poles
Dimension A	7.50mm	5.00mm
Length	A= 7.50xP-2.0mm(P≥2)	A= 5.00xP(P≥2)
Housing Material	PA 66	PA 66
Cage Clamp	Brass, Tin Plated	Brass, Tin Plated
Contact	Phosphor Bronze, Tin Plated	Phosphor Bronze, Tin Plated
Screw Thread	M2.6, Steel, Ni Plated	M2.6, Steel, Ni Plated
Wire Size	12 ~ 24AWG	12 ~ 24AWG
Tightening Torque, Max.	6.0 Lb-in	7.0 Lb-in
Operating Temperature	-40°C to +105°C	-40°C to +105°C

## TECHNICAL DATA

Connection in acc. with standard EN-VDE		
Nominal Current I <sub>N</sub>	16A	16A
Nominal Cross Section	2.5mm <sup>2</sup>	2.5mm <sup>2</sup>
Maximum load current	16A	16A
Insulating Material	PA	PA
Inflammability class acc. to UL94	V0	V0
Nominal voltage, UL/CUL	300V	300V
Nominal current, UL/CUL	16A	16A



Note:  
 Screw Plating: Changes are available upon request