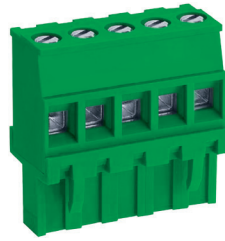
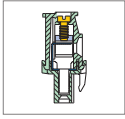


# MC200 Pluggable PCB Connector, Plug



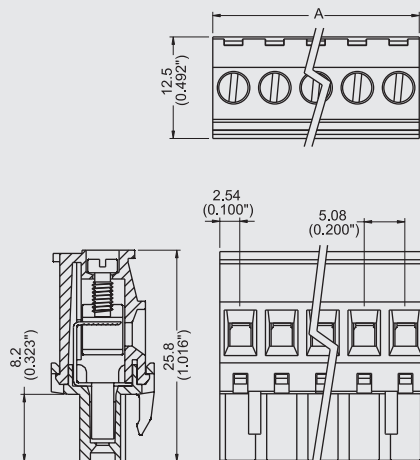
## DIMENSIONS/POSITIONS

### MC200-F1

|                         |                             |
|-------------------------|-----------------------------|
| Pitch                   | 5.08mm                      |
| Poles                   | 2 ~ 24Poles                 |
| Dimension A             | 5.08mm                      |
| Length                  | A= 5.80xP(P≥2)              |
| Housing Material        | PA 66                       |
| Cage Clamp              | Brass, Tin Plated           |
| Contact                 | Phosphor Bronze, Tin Plated |
| Screw Thread            | M2.6, Steel, Ni Plated      |
| Wire Size               | 12 ~24AWG                   |
| Tightening Torque, Max. | 7.0 Lb-in                   |
| Operating Temperature   | -40°C to +105°C             |

## TECHNICAL DATA

|   |                    |
|---|--------------------|
| Connection in acc. with standard EN-VDE |                    |
| Nominal Current I <sub>N</sub>          | 16A                |
| Nominal Cross Section                   | 2.5mm <sup>2</sup> |
| Maximum load current                    | 16 A               |
| Insulating Material                     | PA                 |
| Inflammability class acc. to UL94       | V0                 |
| Nominal voltage, UL/CUL                 | 300V               |
| Nominal current, UL/CUL                 | 16A                |



Note:  
 Screw Plating: Changes are available upon request