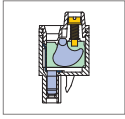


MC310 Pluggable PCB Connector, Plug



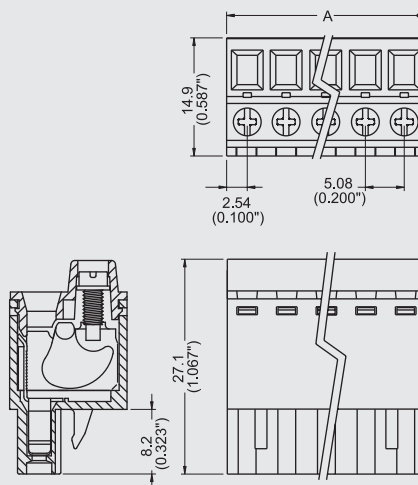
DIMENSIONS/POSITIONS

MC310-508

Pitch	5.08mm
Poles	2 ~ 24Poles
Dimension A	5.08mm
Length	A= 5.08xP(P≥2)
Housing Material	PA 66
Cage Clamp	Brass, Zinc Plated
Contact	Phosphor Bronze, Tin Plated
Screw Thread	M2.6, Steel, Zinc Plated
Wire Size	12 ~ 24AWG
Tightening Torque, Max.	4.5 Lb-in
Operating Temperature	-40°C to +105°C

TECHNICAL DATA

Connection in acc. with standard EN-VDE	
Nominal Current I_N	16A
Nominal Cross Section	4.0mm ²
Maximum load current	16A
Insulating Material	PA
Inflammability class acc. to UL94	V0
Nominal voltage, UL/CUL	300V
Nominal current, UL/CUL	16A



Note:
 Screw Plating: Changes are available upon request