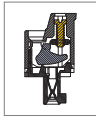
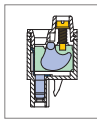


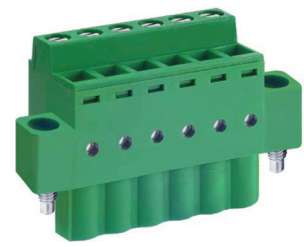
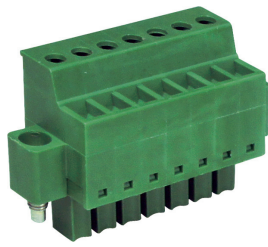
MC311 Pluggable PCB Connector, Plug with Flanges



MC311-381



MC311-500

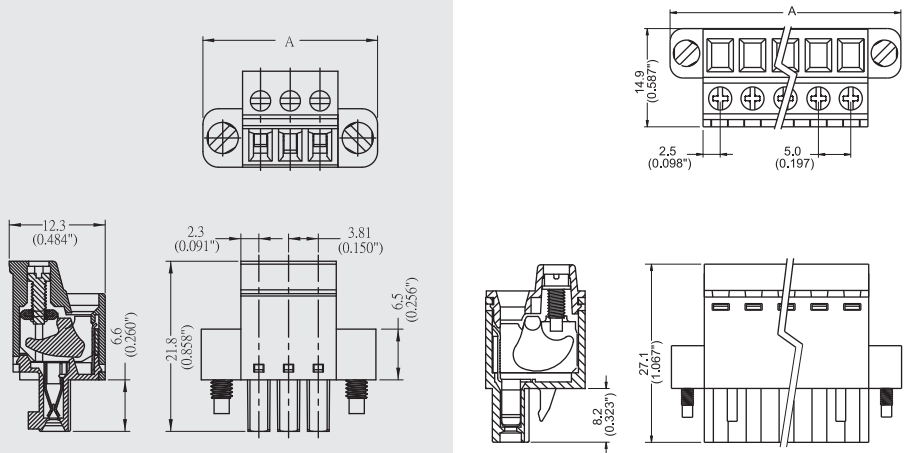


DIMENSIONS/POSITIONS

	MC311-381	MC311-500
Pitch	3.81mm	5.00mm
Poles	2 ~ 20Poles	2 ~ 24Poles
Dimension A	3.81mm	5.00mm
Length	A= 3.81xP+10.20mm(P≥2)	A= 5.00xP+10mm(P≥2)
Housing Material	PA 66	PA 66
Cage Clamp	Steel, Zinc Plated	Steel, Zinc Plated
Contact	Phosphor Bronze, Tin Plated	Phosphor Bronze, Tin Plated
Screw Thread	M2.0, Steel, Zinc Plated	M2.6, Steel, Zinc Plated
Wire Size	16 ~ 30AWG	12 ~ 24AWG
Tightening Torque, Max.	2.5 Lb-in	4.5 Lb-in
Operating Temperature	-40°C to +105°C	-40°C to +105°C

TECHNICAL DATA

Connection in acc. with standard EN-VDE		
Nominal Current I _N	8A	16A
Nominal Cross Section	1.5mm ²	4.0mm ²
Maximum load current	8A	16A
Insulating Material	PA	PA
Inflammability class acc. to UL94	V0	V0
Nominal voltage, UL/CUL	300V	300V
Nominal current, UL/CUL	8A	16A



Note:
 Screw Plating: Changes are available upon request