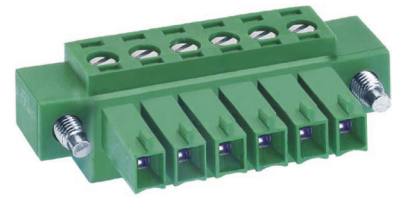
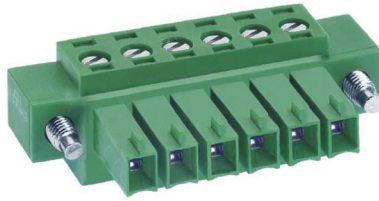
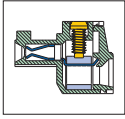


# MC421 Pluggable PCB Connector, Plug with Flanges

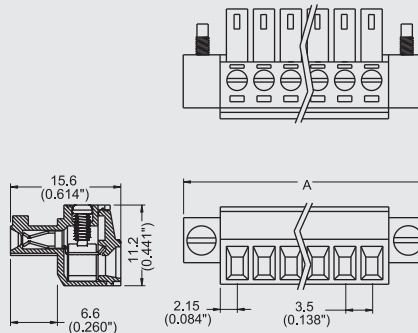


## DIMENSIONS/POSITIONS

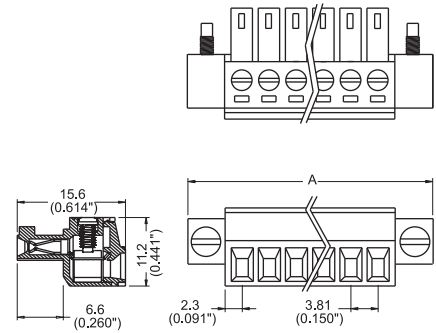
	MC421-350	MC421-381
Pitch	3.50mm	3.81mm
Poles	2 ~ 24Poles	2 ~ 24Poles
Dimension A	3.50mm	3.81mm
Length	A= 3.50xP+10.40mm(P≥2)	A= 3.81xP+10.40mm(P≥2)
Housing Material	PA 66	PA 66
Cage Clamp	Brass, Ni Plated	Brass, Ni Plated
Contact	Phosphor Bronze, Tin Plated	Phosphor Bronze, Tin Plated
Screw Thread	M2.0, Steel, Zinc Plated	M2.0, Steel, Zinc Plated
Wire Size	16 ~ 26AWG	16 ~ 26AWG
Tightening Torque, Max.	3.0 Lb-in	3.0 Lb-in
Operating Temperature	-40°C to +105°C	-40°C to +105°C

## TECHNICAL DATA

Connection in acc. with standard EN-VDE		
Nominal Current I <sub>N</sub>	8A	8A
Nominal Cross Section	1.5mm <sup>2</sup>	1.5mm <sup>2</sup>
Maximum load current	8A	8A
Insulating Material	PA	PA
Inflammability class acc. to UL94	V0	V0
Nominal voltage, UL/CUL	300V	300V
Nominal current, UL/CUL	10A	10A



Note:  
Screw Plating: Changes are available upon request



Note:  
Screw Plating: Changes are available upon request