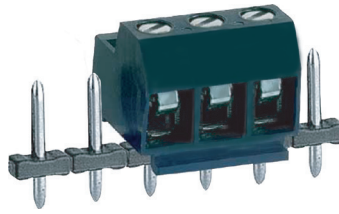
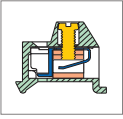


MD110 Connector, Plug



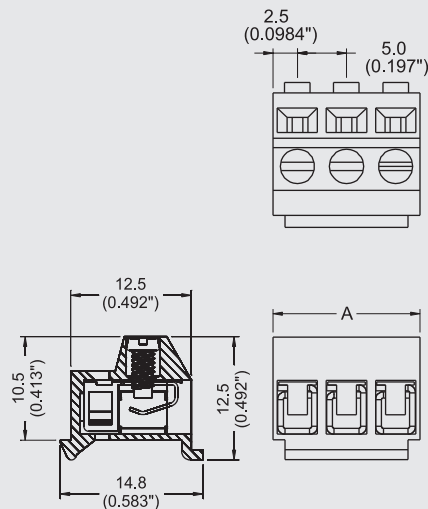
DIMENSIONS/POSITIONS

MD110-500

Pitch	5.00mm
Poles	2 ~ 24Poles
Dimension A	5.00mm
Length	A= 5.00xP(P≥2)
Housing Material	PA 66
Cage Clamp	Brass, Tin Plated
Contact	Phosphor Bronze, Tin Plated
Screw Thread	M2.6, Steel, Zinc Plated
Wire Size	16 ~ 24AWG
Tightening Torque, Max.	3 Lb-in
Operating Temperature	-40°C to +105°C

TECHNICAL DATA

Connection in acc. with standard EN-VDE	
Nominal Current I _N	15A
Nominal Cross Section	1.5mm ²
Maximum load current	15A
Insulating Material	PA
Inflammability class acc. to UL94	V0
Nominal voltage, UL/CUL	300V
Nominal current, UL/CUL	15A



Note:
Screw Plating: Changes are available upon request