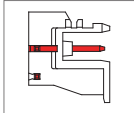


# ME09L Male Connector with Soldering Pin

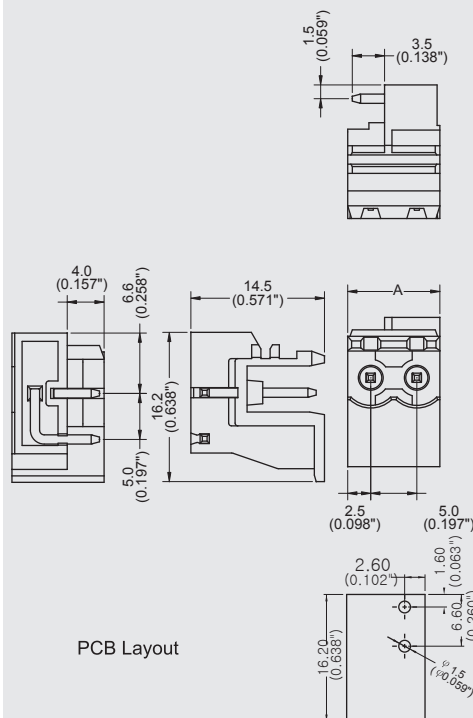


## DIMENSIONS/POSITIONS

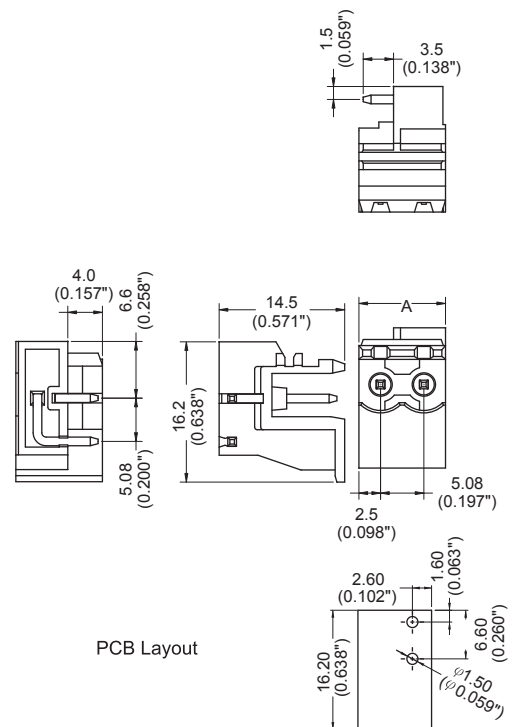
	ME09L-500	ME09L-508
Pitch	5.00mm	5.08mm
Poles	2 ~ 4Poles	2 ~ 4Poles
Dimension A	5.00mm	5.08mm
Length	A= 5.00xP(P=2~4)	A= 5.08xP(P=2~4)
Housing Material	PA 66	PA 66
pin Dimensions	Brass, Tin Plated	Brass, Tin Plated
PCB Hole Diameter	1.5mm	1.5mm
Operating Temperature	-40°C to +105°C	-40°C to +105°C

## TECHNICAL DATA

Connection in acc. with standard EN-VDE		
Nominal Current I <sub>N</sub>	16A	16A
Nominal Cross Section	-	-
Maximum load current	16A	16A
Insulating Material	PA	PA
Inflammability class acc. to UL94	V0	V0
Nominal voltage, UL/CUL	300V	300V
Nominal current, UL/CUL	16A	16A



PCB Layout



PCB Layout