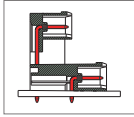


ME130 Male Connector, Double Level Header

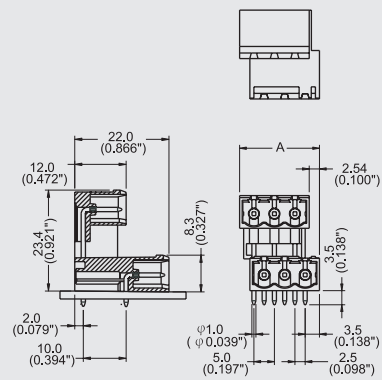


DIMENSIONS/POSITIONS

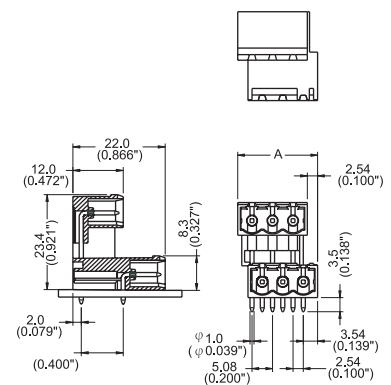
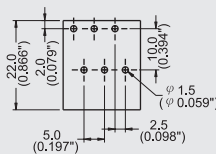
	ME130-500	ME130-508
Pitch	5.00mm	5.08mm
Poles	4 ~ 48Poles	4 ~ 48Poles
Dimension A	5.00mm	5.08mm
Length	A= 5.00xP/2+4.50mm(P≥4)	A= 5.08xP/2+4.54mm(P≥4)
Housing Material	Brass, Tin Plated	Brass, Tin Plated
Pin Dimensions	PA 66	PA 66
PCB Hole Diameter	1.5mm	1.5mm
Operating Temperature	-40°C to +105°C	-40°C to +105°C

TECHNICAL DATA

Connection in acc. with standard EN-VDE		
Nominal Current I _N	12A	12A
Nominal Cross Section	-	-
Maximum load current	12A	12A
Insulating Material	PA	PA
Inflammability class acc. to UL94	V0	V0
Nominal voltage, UL/CUL	300V	300V
Nominal current, UL/CUL	16A	16A



PCB Layout



PCB Layout

