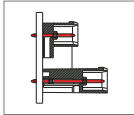


ME14R Male Connector, Double Level Header-Modular

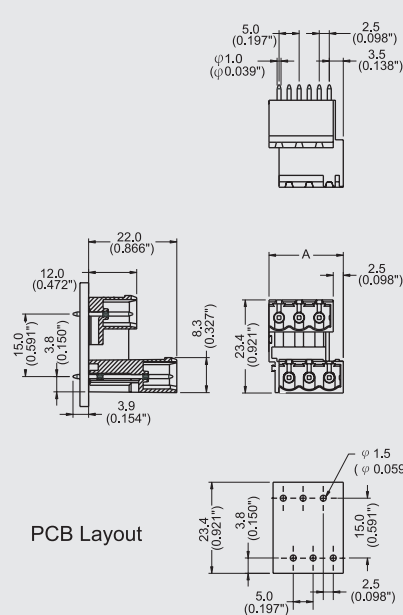


DIMENSIONS/POSITIONS

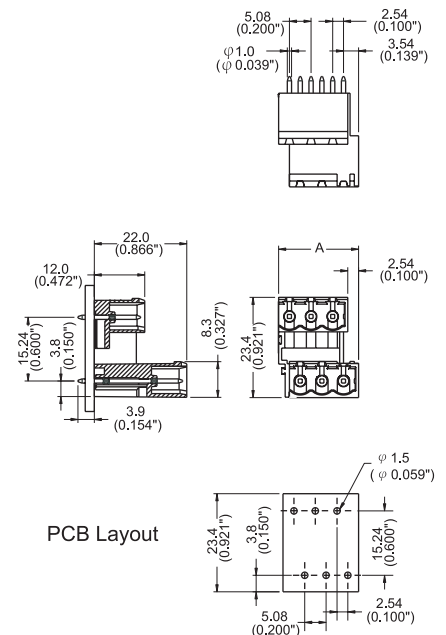
	ME14R-500M	ME14R-508M
Pitch	5.00mm	5.08mm
Poles	4 ~ 6Poles	4 ~ 6Poles
Dimension A	5.00mm	5.08mm
Length	A= 5.00xP/2+3.50mm(P≥4)	A= 5.08xP/2+3.54mm(P≥4)
Housing Material	PA 66	PA 66
Pin Dimensions	Brass, Tin Plated	Brass, Tin Plated
PCB Hole Diameter	1.5mm	1.5mm
Operating Temperature	-40°C to +105°C	-40°C to +105°C

TECHNICAL DATA

Connection in acc. with standard EN-VDE		
Nominal Current I _N	16A	16A
Nominal Cross Section	-	-
Maximum load current	16A	16A
Insulating Material	PA	PA
Inflammability class acc. to UL94	V0	V0
Nominal voltage, UL/CUL	300V	300V
Nominal current, UL/CUL	16A	16A



PCB Layout



PCB Layout