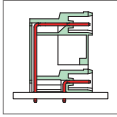


# ME250 Male Connector, Double Level Header with Flanges

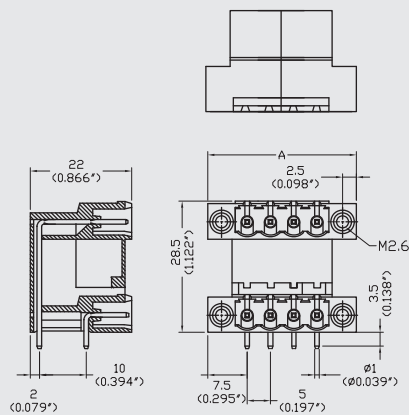


## DIMENSIONS/POSITIONS

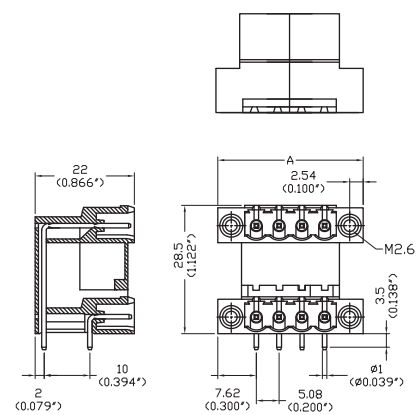
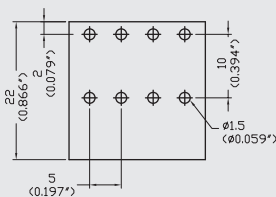
|                       | ME250-500                | ME250-508                |
|-----------------------|--------------------------|--------------------------|
| Pitch                 | 5.00mm                   | 5.08mm                   |
| Poles                 | 4 ~ 48Poles              | 4 ~ 48Poles              |
| Dimension A           | 5.00mm                   | 5.08mm                   |
| Length                | A= 5.00xP/2+10.00mm(P≥4) | A= 5.08xP/2+10.16mm(P≥4) |
| Housing Material      | PA 66                    | PA 66                    |
| Pin Dimensions        | Brass, Tin Plated        | Brass, Tin Plated        |
| PCB Hole Diameter     | 1.5mm                    | 1.5mm                    |
| Operating Temperature | -40°C to +105°C          | -40°C to +105°C          |

## TECHNICAL DATA

|   |      |      |
|---|------|------|
| Connection in acc. with standard EN-VDE |      |      |
| Nominal Current I <sub>N</sub>          | 12A  | 12A  |
| Nominal Cross Section                   | -    | -    |
| Maximum load current                    | 12A  | 12A  |
| Insulating Material                     | PA   | PA   |
| Inflammability class acc. to UL94       | V0   | V0   |
| Nominal voltage, UL/CUL                 | 300V | 300V |
| Nominal current, UL/CUL                 | 16A  | 16A  |



PCB Layout



PCB Layout

