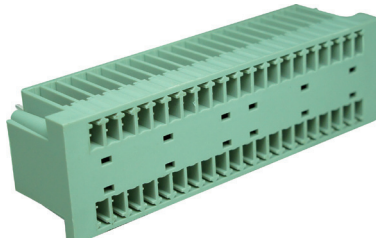
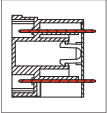


ME267 Male Connector, Double Level Header



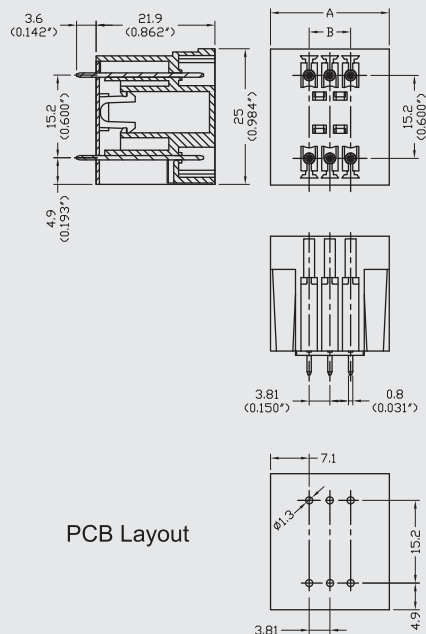
DIMENSIONS/POSITIONS

ME267-381

Pitch	3.81mm
Poles	4 ~ 40Poles
Dimension A	3.81mm
Length	A= 3.81xP/2+10.40mm(P≥4)
Housing Material	PBT
Pin Dimensions	Brass, Tin Plated
PCB Hole Diameter	1.3mm
Operating Temperature	-40°C to +120°C

TECHNICAL DATA

Connection in acc. with standard EN-VDE	
Nominal Current I _N	10A
Nominal Cross Section	-
Maximum load current	10A
Insulating Material	PBT
Inflammability class acc. to UL94	V0
Nominal voltage, UL/CUL	300V
Nominal current, UL/CUL	10A



PCB Layout