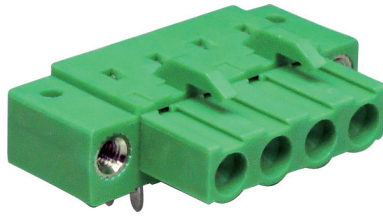
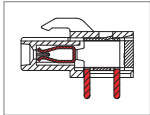


MF205 Connector



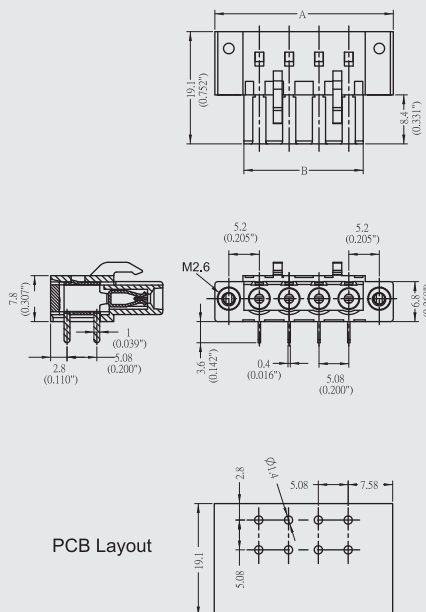
DIMENSIONS/POSITIONS

MF205-508

Pitch	5.08mm
Poles	2 ~ 24Poles
Dimension A	5.08mm
Length	A=5.08xP+10.80mm(P≥2)
Housing Material	PA 66
Wire Protector	Phosphor Bronze, Tin Plated
PCB Hole Diameter	1.4mm
Operating Temperature	-40°C to +105°C

TECHNICAL DATA

Connection in acc. with standard EN-VDE	
Nominal Current I _N	11A
Nominal Cross Section	-
Maximum load current	11A
Insulating Material	PA
Inflammability class acc. to UL94	V0
Nominal voltage, UL/CUL	300V
Nominal current, UL/CUL	11A



PCB Layout