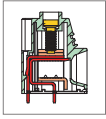


MH130 PCB Terminal Block, High Power- Modular



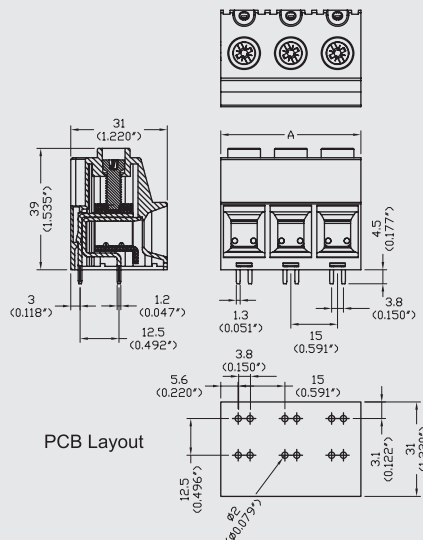
DIMENSIONS/POSITIONS

MH130-150

Pitch	15mm
Poles	2 ~ 8Poles
Dimension A	15mm
Length	A= 15.00xP(P≥2)
Housing Material	PA 66
Cage Clamp	Steel, Zinc Plated
Contact	Copper, Tin Plated
Screw Thread	M5.0, Steel, Trivalent Chrome Plated
Wire Size	1 ~ 20AWG
PCB Hole Diameter	2.0mm
Tightening Torque, Max.	30 Lb-in
Operating Temperature	-40°C to +105°C

TECHNICAL DATA

Connection in acc. with standard EN-VDE	
Nominal Current I _N	125A
Nominal Cross Section	-
Maximum load current	125A
Insulating Material	PA
Inflammability class acc. to UL94	V0
Nominal voltage, UL/CUL	600V
Nominal current, UL/CUL	125A



Note:
Screw Plating:Changes are available upon request