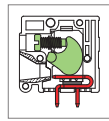


MT300 PCB Terminal Block

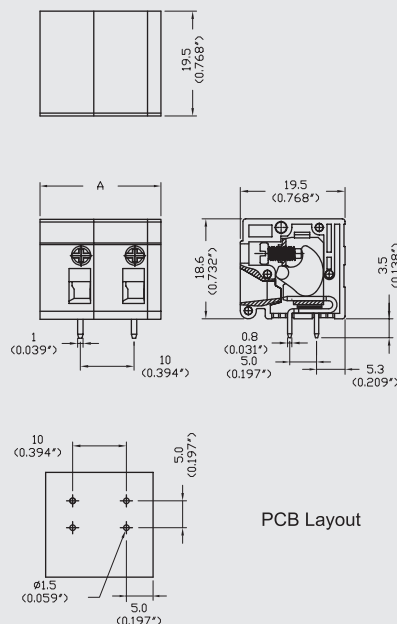


DIMENSIONS/POSITIONS

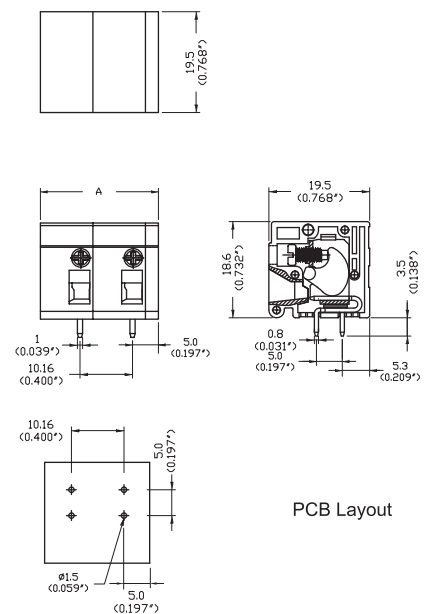
| | MT300-100 | MT300-016 |
|-------------------------|--------------------------|--------------------------|
| Pitch | 10.00mm | 10.16mm |
| Poles | 2 ~ 16Poles | 2 ~ 16Poles |
| Dimension A | 10.00mm | 10.16mm |
| Length | A= 10.00xP+2.50mm(P≥2) | A= 10.16xP+2.50mm(P≥2) |
| Housing Material | PA 66 | PA 66 |
| Pressure Plate | Steel, Zinc Plated | Steel, Zinc Plated |
| Cage Clamp | Steel, Zinc Plated | Steel, Zinc Plated |
| Contact | Brass, Tin Plated | Brass, Tin Plated |
| Screw Thread | M2.6, Steel, Zinc Plated | M2.6, Steel, Zinc Plated |
| Wire Size | 12~ 24AWG | 12 ~ 24AWG |
| PCB Hole Diameter | 1.5mm | 1.5mm |
| Tightening Torque, Max. | 4.5 Lb-in | 4.5 Lb-in |
| Operating Temperature | -40°C to +120°C | -40°C to +120°C |

TECHNICAL DATA

| | | |
|---|------|------|
| Connection in acc. with standard EN-VDE | | |
| Nominal Current I _N | 20A | 20A |
| Nominal Cross Section | - | - |
| Maximum load current | 20A | 20A |
| Insulating Material | PA | PA |
| Inflammability class acc. to UL94 | V0 | V0 |
| Nominal voltage, UL/CUL | 300V | 300V |
| Nominal current, UL/CUL | 20A | 20A |



PCB Layout



PCB Layout