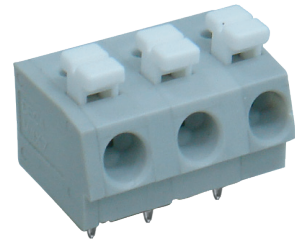
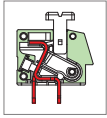


MWX701 PCB Spring Type Terminal Block

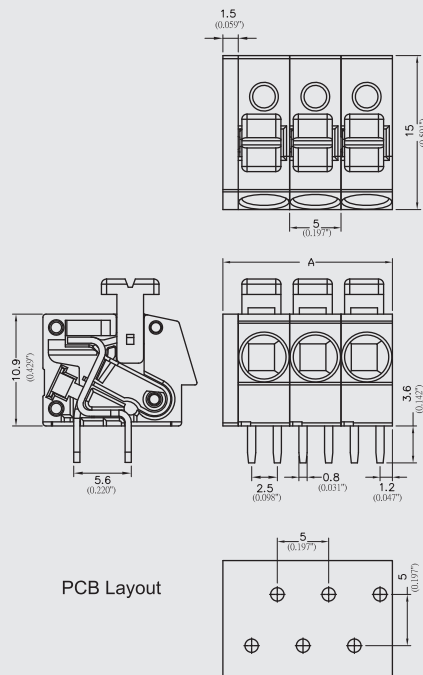


DIMENSIONS/POSITIONS

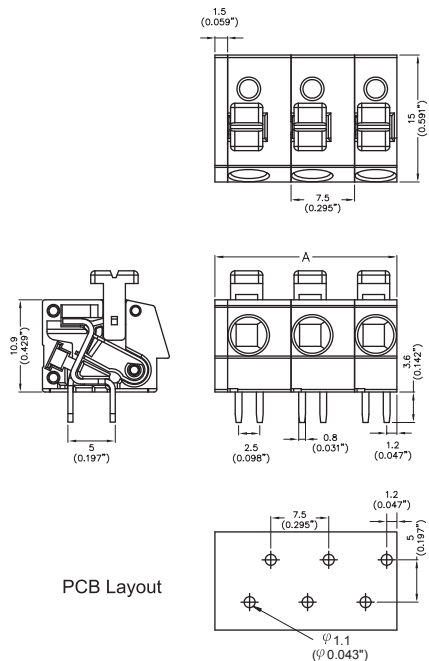
	MWX701-500	MWX701-750
Pitch	5.00mm	7.50mm
Poles	2 ~ 24Poles	2 ~ 24Poles
Dimension A	5.00mm	7.50mm
Length	A= 5.00xP+1.50mm(P≥2)	A= 7.50xP+1.00mm(P≥2)
Housing Material	PA 66	PA 66
Cover	PA 66	PA 66
Lever	PC	PC
Contact	Brass, Tin Plated	Brass, Tin Plated
Spring	Stainless Strip Steel	Stainless Strip Steel
Wire Size	12 ~ 24AWG	12 ~ 24AWG
PCB Hole Diameter	1.1mm	1.1mm
Operating Temperature	-40°C to +105°C	-40°C to +105°C

TECHNICAL DATA

Connection in acc. with standard EN-VDE		
Nominal Current I _N	24A	24A
Nominal Cross Section	2.5mm ²	2.5mm ²
Maximum load current	24A	24A
Insulating Material	PA	PA
Inflammability class acc. to UL94	V0	V0
Nominal voltage, UL/CUL	300V	300V
Nominal current, UL/CUL	16A	16A



PCB Layout



PCB Layout