



# PT60 Series

Ø60mm Modular LED Stack Lights



- Modular LEDs: Easy to add or replace
- Built-in 85 dB buzzer
- Twist lock: assemble/disassemble without tools
- Various mounting options
- Designed rugged body with IP65 protection

## Ordering Information

PT60 G - F 3 02 - RYG - BW  
 ① ② ③ ④ ⑤ ⑥

## Specifications

LED function	Steady, Flashing
Power supply specifications	24VDC, 100 ~ 240VAC (50/60Hz)
Allowable voltage range	22.8~ 25.2VDC / 100 ~ 240VAC
Flashing speed	24VDC: 70±3 times per minute 100~240VAC: 80±5 times per minute
Buzzer volume	85±5dB maximum
Buzzer tone	Intermittent sound (beep-beep-beep)
Lens Color	Red-red LED, Yellow-yellow LED, Green-green LED Blue-blue LED, Clear-white LED
Material	Lens: PC, Body: ABS, Aluminum Pole, Mount base: PA6 or aluminum
Mounting method	Vertical orientation only (indoor use only)
Wiring method	Exposed wiring connection method
Wiring Standard	UL1007, 22AWG
Degree of protection	IP65
Approvals	CE, RoHS
Withstand voltage	24VDC - 500VAC 50/60Hz for 1 minute 100VAC - 1000VAC 50/60Hz for 1 minute 220VAC - 1500VAC 50/60Hz for 1 minute
Insulation resistance	More than 10MΩ (500VDC Mega standard)
Vibration resistant	30Hz (1 minute cycle) 1 hours double amplitude 0.5mm in X, Y, Z respective direction
Ambient temperature	-15 ~ +40°C (No freezing)
Storage temperature	-20 ~ +70°C (No freezing)
Ambient humidity	45 ~ 85% RH (no condensation)

① Mounting/ Connection Type	No Mark	Pole Mounting
	G	Direct Mounting with M4 Screws
	C	Direct Mounting with M30 Plastic Nut (Lead Wire)
	CX	Direct Mounting with M30 Plastic Nut (M12 Connector)*
② Light Style	S	Steady
	F	Steady + Flashing
	B	Steady + Buzzer
	Z	Steady + Flashing + Buzzer
③ Number of Stacks	1	1 Light
	2	2 Lights
	3	3 Lights
	4	4 Lights
	5	5 Lights
④ Power Supply	02	24V DC
	FF	90~240V AC
⑤ Lens Colors (top to bottom)	R	Red
	Y	Yellow
	G	Green
	B	Blue
	C	Clear
⑥ Options	No Mark	Ivory Body
	B	Black Body
	W	All Clear Lens

\* CX type is available only with the steady (or steady + buzzer) light and the 24VDC.

## Current consumption

Model	Power supply	1 Stack	2 Stacks	3 Stacks	4 Stacks	5 Stacks
(No Buzzer type) PT60■-S PT60■-F	24VDC	R/Y-0.03A G/C-0.05A B-0.06A	RG-0.07A RB-0.08A	RYG-0.10A RBG-0.12A	RYGB 0.14A	RYGBW 0.18A
	100~240 VAC	R/Y-0.02A G/B/C-0.03A	RG-0.03A RB-0.04A	RYG-0.04A RBG-0.05A	RYGB 0.06A	RYGBW 0.08A
(Buzzer type) PT60■-B PT60■-Z	24VDC	R/Y-0.06A G/C-0.07A B-0.08A	RG-0.10A RB-0.11A	RYG-0.12A RBG-0.14A	RYGB 0.17A	RYGBW 0.20A
	100~240 VAC	R/Y-0.03A G/B/C-0.04A	RG-0.05A RB-0.05A	RYG-0.05A RBG-0.06A	RYGB 0.07A	RYGBW 0.09A

- Measured value by RMS ±10%
- For 100 to 240VAC type, based on 110VAC measurement data

## Product Brightness (±10 lm)

Red LED	Yellow LED	Green LED	Blue LED	White LED
7.5 lm	23 lm	13 lm	4.5 lm	29 lm

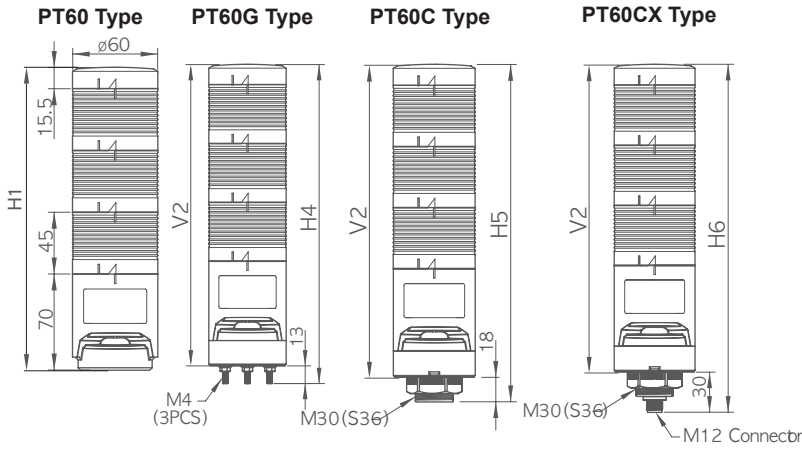
## Product Weight (±10g)

24V type	PT60-Z102 187g PT60-Z202 230g PT60-Z302 273g PT60-Z402 316g PT60-Z502 359g	PT60C-Z102 228g PT60C-Z202 271g PT60C-Z302 314g PT60C-Z402 357g PT60C-Z502 400g
AC type	PT60-Z1FF 200g PT60-Z2FF 243g PT60-Z3FF 286g PT60-Z4FF 329g PT60-Z5FF 372g	PT60C-Z1FF 241g PT60C-Z2FF 284g PT60C-Z3FF 327g PT60C-Z4FF 370g PT60C-Z5FF 413g

Please See Our "Mounting and Accessories" Section for Mounting Options

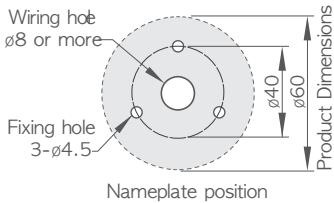
# Dimensions

unit: mm

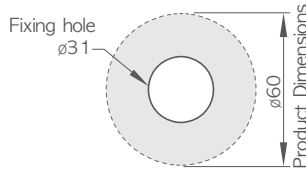


Product Height	H1	H4	H5	H6	V2
1 Stack	131	154	158	170	141
2 Stacks	176	199	203	215	186
3 Stacks	221	244	248	260	231
4 Stacks	266	289	293	305	276
5 Stacks	311	334	338	350	321

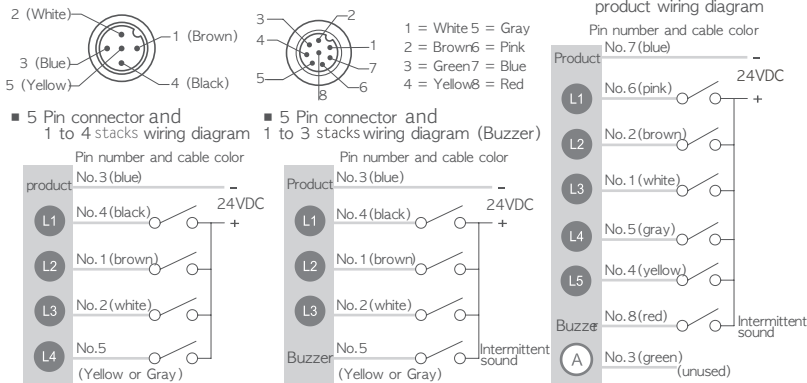
## PT60G Type Mounting



## PT60C/CX Type Mounting



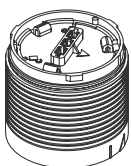
## PT60CX M12 Connector Pin Layout



## M12 Connector Cable (Optional Part)

Straight M12 cable (A-code, socket type)	5-pin Cable	8-pin Cable	Length
	CID 5 - 2	-	
	CID 5 - 3	CID 8 - 3	3m
	CID 5 - 5	CID 8 - 5	5m
	CID 5 - 7	CID 8 - 7	7m

## LED Module Specifications

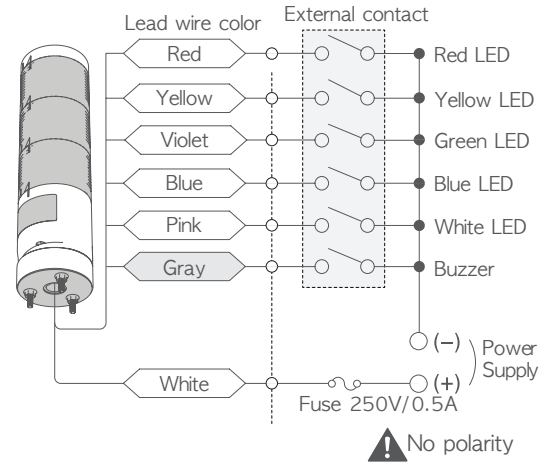


Model No.	LED color	Lens color	Current	Brightness
PT60-LT02-R	Red	Red	0.03A	7.5 lm
PT60-LT02-Y	Yellow	Yellow	0.03A	23 lm
PT60-LT02-G	Green	Green	0.05A	13 lm
PT60-LT02-B	Blue	Blue	0.06A	4.5 lm
PT60-LT02-W	White	Clear	0.05A	29 lm

# Connection Diagram

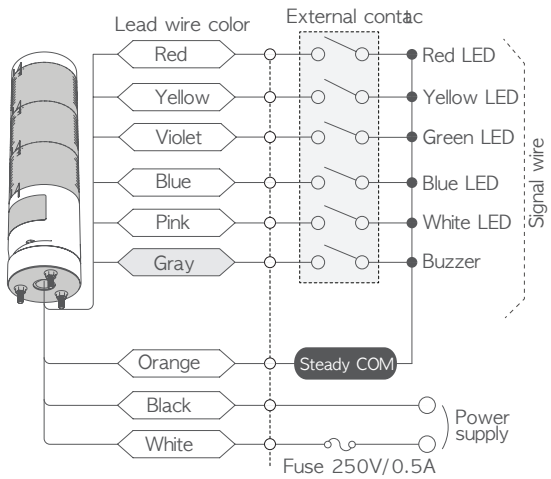
## 24V DC

### Steady, Steady + Buzzer Type



## 100~240V AC

### Steady, Steady + Buzzer Type



## 24V DC, 100~240V AC

### Steady + Flashing + Buzzer Type

